

Features

- Hydraulic cylinder with magnetic piston allows sensors to be used.
- Large range of mounting accessories.
- Adjustable stroke available.
- Magnetic as standard.

Specification

Model	MDO*	
Tube I.D. (mm)	20	32
Medium	Filtered oil	
Material of cylinder barrel	Anodised aluminum	Stainless steel
Max. operating pressure	3.5 MPa	
Proof pressure	5 MPa	
Speed range	0.5~300 mm/sec	
The range of temperature	-10~+60°C (No freezing)	
Sensor switch (*)	LN01G	

* LN01G specification, please refer to page 5-16.

Double acting hydraulic cylinders

MDOC	Pivot type	
MDOA	Front nose mounting type	
MDOD	Double rod type	
MDON	Adjustable forward stroke type	

Order example

MDON — 32 — 100 — A — LB — Y

MODEL	TUBE I.D.	STROKE	ADJUSTABLE STROKE	ACCESSORY
 MDOC	32	100	Blank: Standard type A: Adjustable 25mm B: Adjustable 50mm * Only for MDON model.	FA
 MDOA				FB
 MDOD				LA
 MDON				LB
				Y
				I

Standard stroke

Tube I.D.	25	50	75	100	125	150	200	250	300
ø20	●	●	●	●	●	●	●	—	—
ø32	●	●	●	●	●	●	●	●	●

Unit: mm

Note. May to order of unstandard stroke.



Theoretic force

Tube I.D. (mm)	Rod (mm)	Area (mm ²)	Operating pressure (MPa)							
			0.5	1.0	1.5	2.0	2.5	3.0	3.5	
ø20	ø12	A	314	157	314	471	628	785	942	1099
		B	201	101	201	302	402	503	603	704
ø32	ø16	A	707	354	707	1061	1414	1768	2121	2475
		B	506	253	506	759	1012	1265	1518	1771

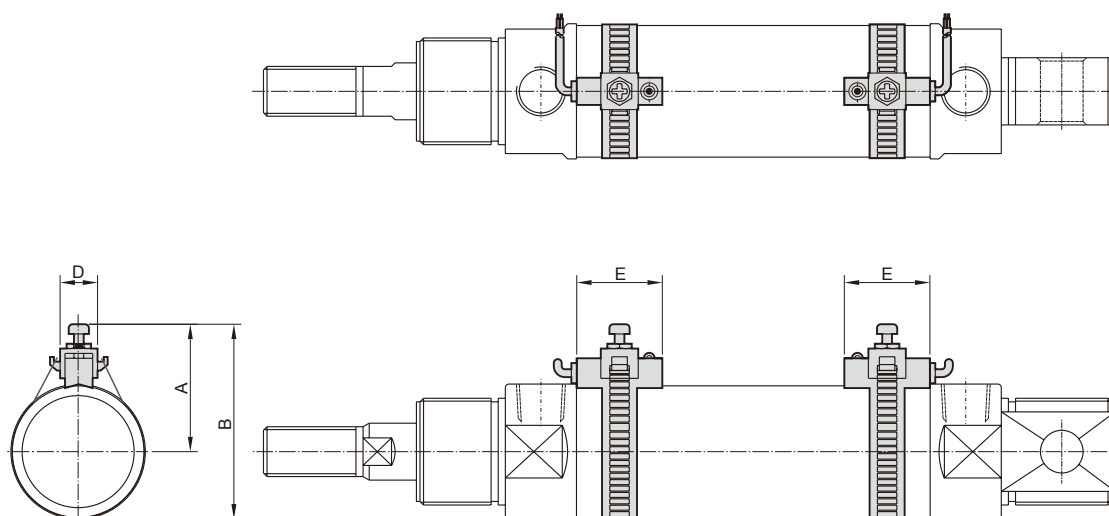
Unit: N

The method of calculation (Hydraulic cylinders' force)

$$F = P \times A - f$$

F:	Cylinders' force	(N)
P:	Operating pressure	(MPa)
A:	Piston area	(mm ²)
f :	Friction drag	(N)

Installation of sensor switches



Tube I.D.	Sensor switch	A	B	D	E
20	LN01G	28	40.5	7	22
32	LN01G	33	49.5	7	22

How to order the seal kit

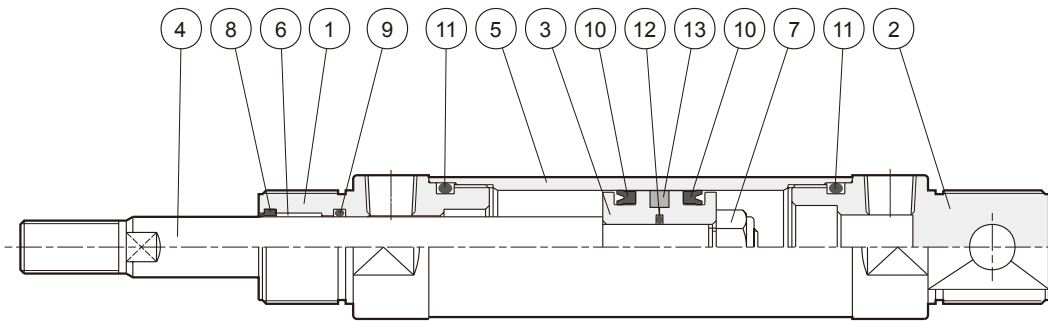
MDOSK

Tube I.D.	Seal kit
20	MDOSK20 - Including No.8,9,10,11,12
32	MDOSK32 - Including No.8,9,10,11,12

MDODSK

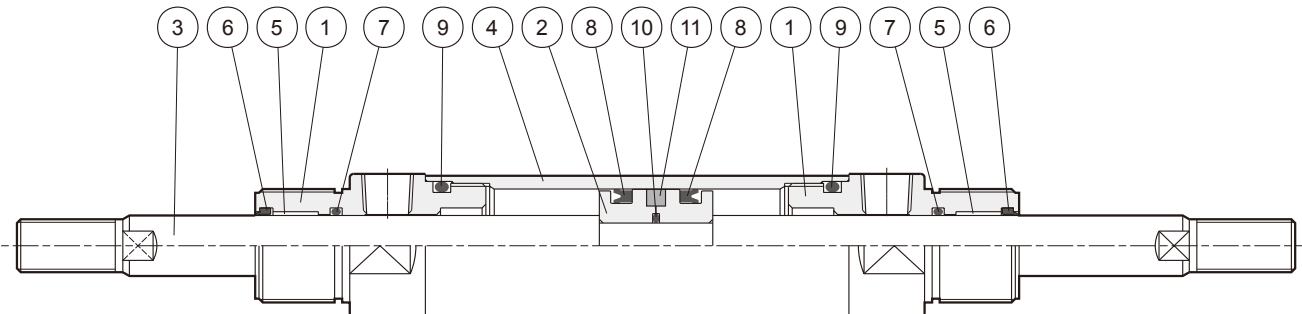
Tube I.D.	Seal kit
20	MDODSK20 - Including No.6,7,8,9,10
32	MDODSK32 - Including No.6,7,8,9,10

MDOA / MDOC



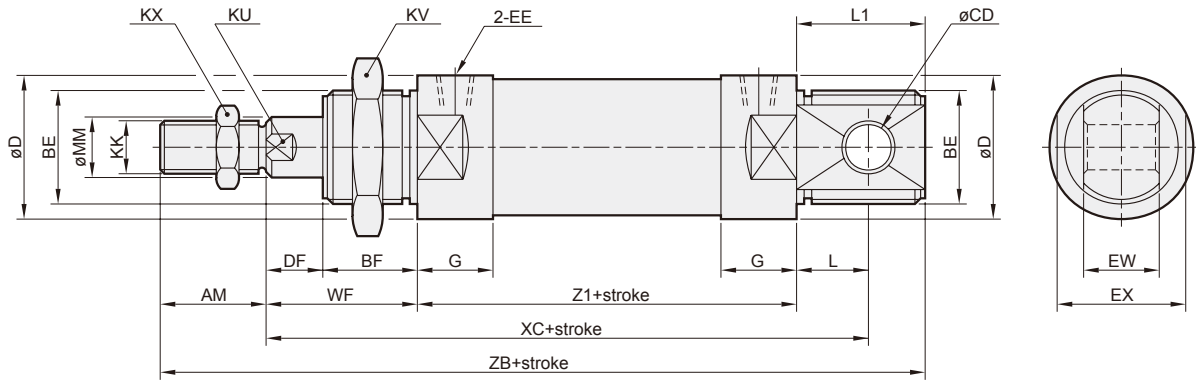
No.	Part name	Q'y	No.	Part name	Q'y	No.	Part name	Q'y
1	Rod cover	1	6	Oilless bearing	1	11	Cylinder gasket	2
2	Head cover	1	7	Nut	1	12	Piston gasket	1
3	Piston	1	8	Dust wiper	1	13	Magnet	1
4	Piston rod	1	9	Rod packing	1			
5	Cylinder tube	1	10	Piston packing	2			

MDOD

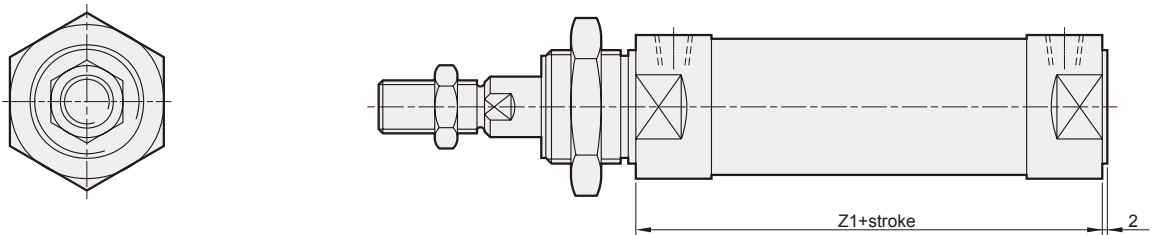


No.	Part name	Q'y	No.	Part name	Q'y	No.	Part name	Q'y
1	Rod cover	2	5	Oilless bearing	2	9	Cylinder gasket	2
2	Piston	1	6	Dust wiper	2	10	Piston gasket	1
3	Piston rod	1	7	Rod packing	2	11	Magnet	1
4	Cylinder tube	1	8	Piston packing	2			

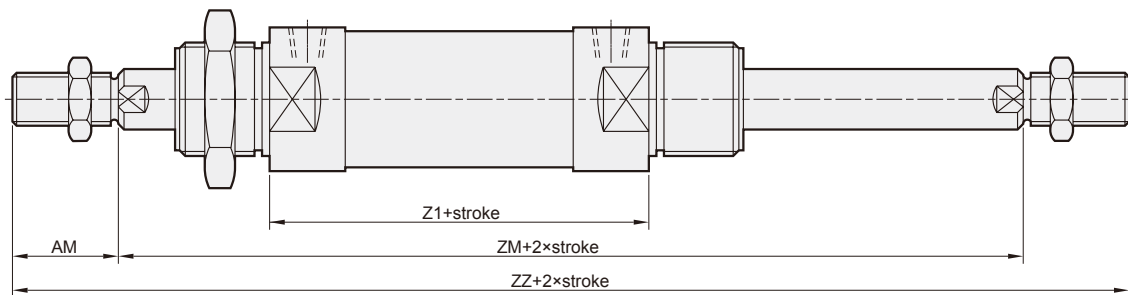
MDOC



MDOA

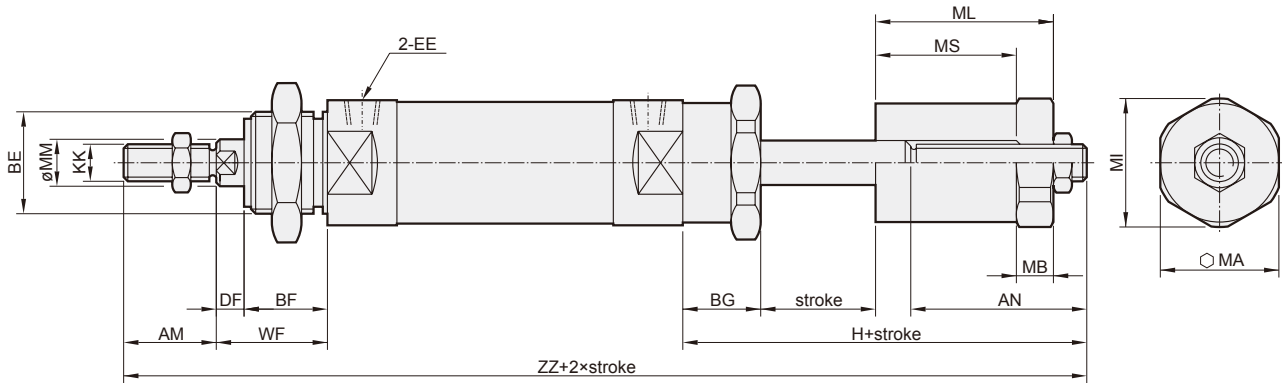


MDOD



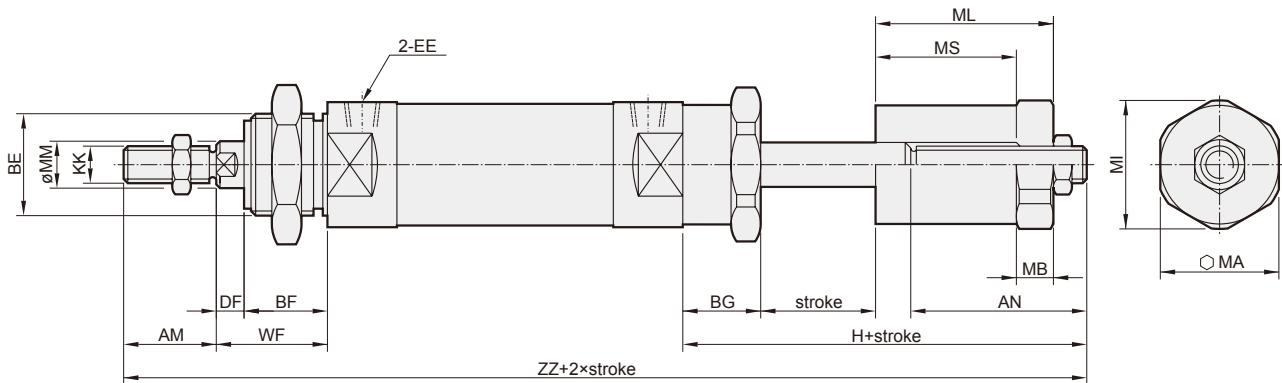
Code Tube I.D.	AM	BE	BF	CD	D	DF	EE	EX	EW	G	KK	KU	KV	KX	L	L1	MM	WF	XC	Z1	ZB	ZM	ZZ
$\phi 20$	20	M22 \times 1.5	20	10	28	8	Rc1/8	25	12	16	M10 \times 1.25	10	27	17	15	25	12	28	130	87	160	143	183
$\phi 32$	28	M30 \times 1.5	25	12	38	15	Rc1/4	35	20	20	M14 \times 1.5	14	41	22	17	32	16	40	159	102	202	182	238

MDON (A : Adjustable stroke 25mm)



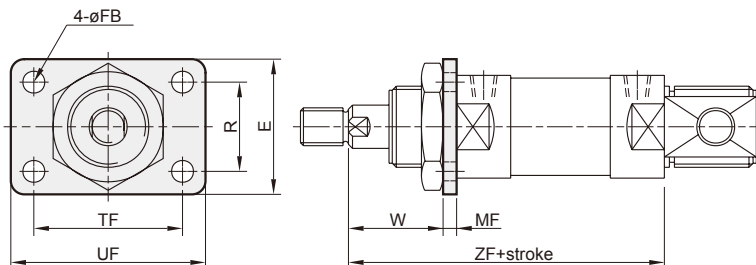
Code Tube I.D.	AN	AM	BE	BF	BG	DF	EE	H	KK	MA	MB	MI	ML	MM	MS	WF	ZZ
$\varnothing 20$	48	20	M22 \times 1.5	20	25	8	G1/8	81	M10 \times 1.25	27	10	29	47	12	35	28	216
$\varnothing 32$	48	28	M30 \times 1.5	25	30	15	G1/4	88	M14 \times 1.5	32	10	44	47	16	37	40	258

MDON (B : Adjustable stroke 50mm)



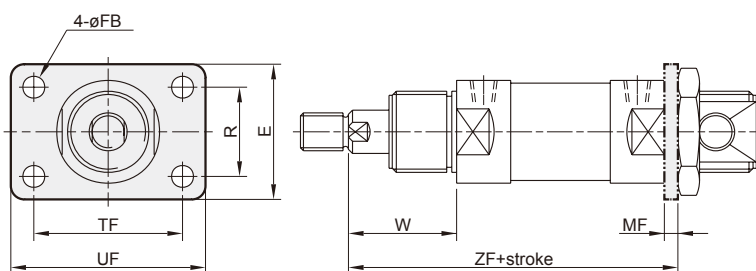
Code Tube I.D.	AN	AM	BE	BF	BG	DF	EE	H	KK	MA	MB	MI	ML	MM	MS	WF	ZZ
$\varnothing 20$	73	20	M22 \times 1.5	20	25	8	G1/8	106	M10 \times 1.25	27	10	29	72	12	60	28	241
$\varnothing 32$	73	28	M30 \times 1.5	25	30	15	G1/4	113	M14 \times 1.5	32	10	44	72	16	62	40	283

FA



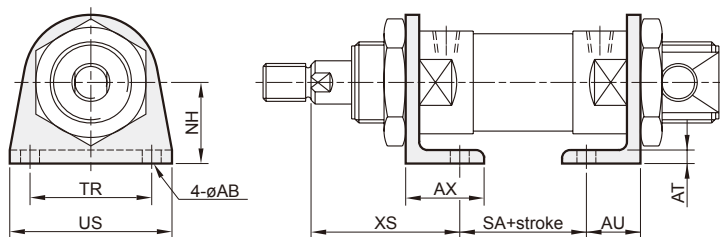
Code Tube I.D.	E	FB	MF	R	TF	UF	W	ZF
$\varnothing 20$	38	7	6	21	51	68	22	115
$\varnothing 32$	50	7	9	33	55	72	31	142

FB



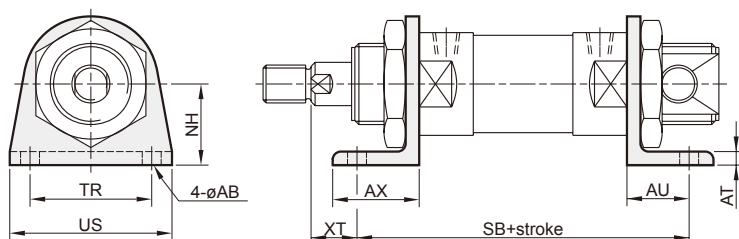
Code Tube I.D.	E	FB	MF	R	TF	UF	W	ZF
$\varnothing 20$	38	7	6	21	51	68	28	121
$\varnothing 32$	50	7	9	33	55	72	40	151

LA



Code Tube I.D.	AB	AT	AU	AX	NH	SA	TR	US	XS
$\varnothing 20$	7	5	17	25	25	63	40	54	40
$\varnothing 32$	7	5	20	30	35	72	40	55	55

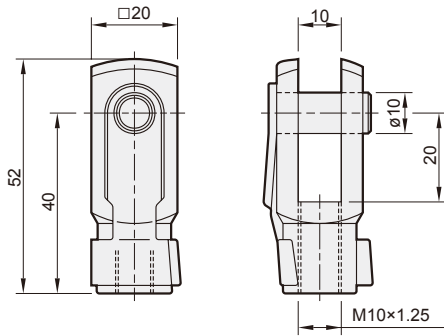
LB



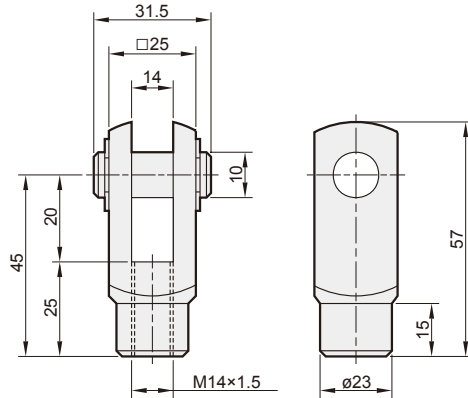
Code Tube I.D.	AB	AT	AU	AX	NH	SB	TR	US	XT
$\varnothing 20$	7	5	17	25	25	121	40	54	11
$\varnothing 32$	7	5	20	30	35	142	40	55	20

Y connector Pin (Extra purchase)

Type Y - M10×1.25

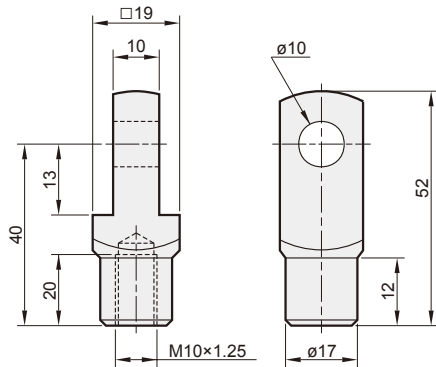


Type Y - M14×1.5

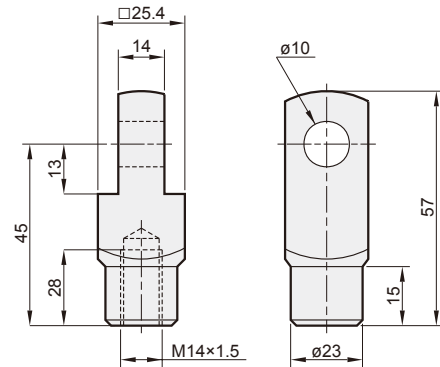


I connector

Type I - M10×1.25

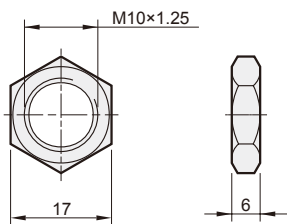


Type I - M14×1.5

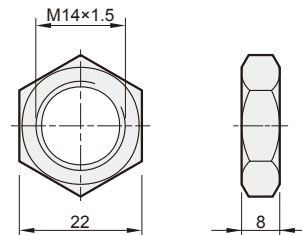


Mounting nut

Type N - M10×1.25

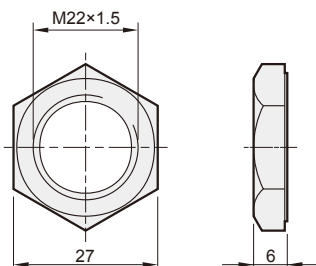


Type N - M14×1.5



Mounting nut

Type N - M22×1.5



Type N - M30×1.5B

